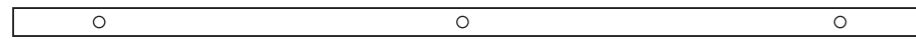
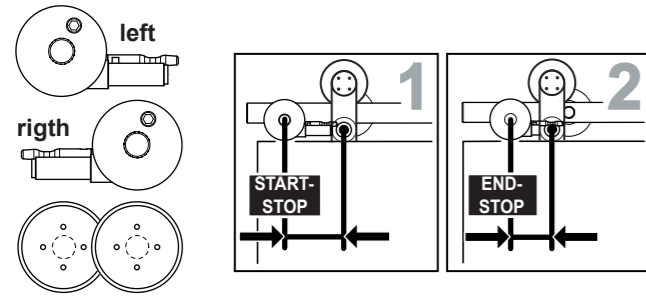


1 Set sliding door fittings Flatec II

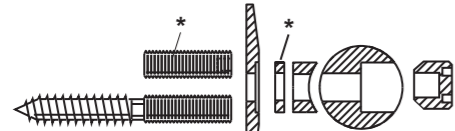
2 Guide rail



3 Door stoppers Soft-Tec

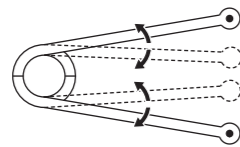


5 Wall fixtures
(without screws and dowels, at construction site)



* not included in scope of delivey **5/16" - 18UNC**

6 Special tool

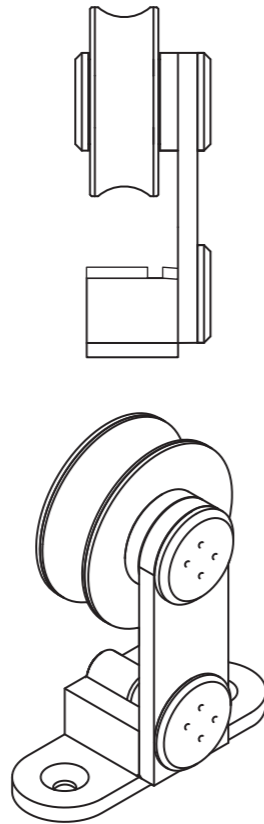


7 Bottom guide



(without screws and dowels, at construction site)

4 Trolley complete



- Attention
- Screw on
- Screw on
- Screw on
- Loosen/Tighten
- Install
- At right angle
- Drill
- Dowels
- Adjust Set
- Level
- Perpendicular
- Measure Mark
- Visual inspection
- Special-tool
- 2 people required
- Measure
- Clarify questions
- See Instructions
- Secure

Comply with all general safety regulations when installing the sliding door fittings!

Installation to be completed by qualified licensed contractor.

Be sure to tighten all screw connections one week after starting to use the sliding door fittings!

Never use scouring agents to clean the sliding door fittings; rather use commercially available stainless-steel cleaners!

Set Flatec II	Set / Each					
1 Art.-No.	2	3	4	5	6	7
USU45DS-1800EF	1	2	2	3	1	1
USU45DS-2100EF	1	2	2	4	1	1
USU45DS-2300EF	1	2	2	4	1	1
USU45DS-2540EF	1	2	2	4	1	1

Beyerle US L.L.C., ABP-Beyerle, it's subsidiaries and agents are not responsible or liable for damage or injury to any persons or property due to improper installation of it's products. All liabilities reside solely with the installer.



Beyerle US L.L.C.

5126 South Royal Atlanta Drive , Tucker, GA 30084, USA

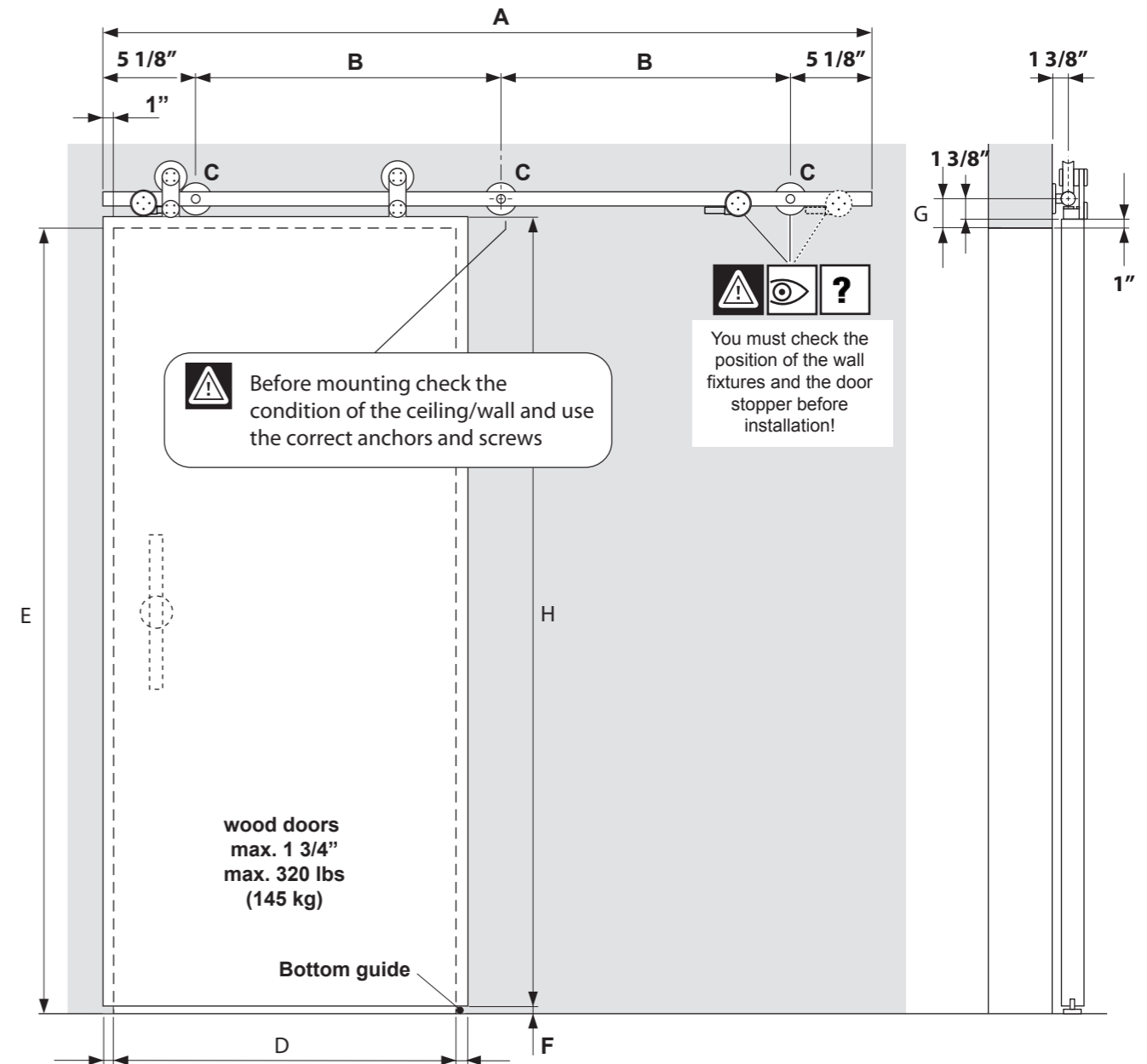
Phone (770) 349 - 6324 , Fax (770) 934 - 3384 , mail: info@beyerle-us.com, www.beyerle-us.com

65 30 00.0137_Flatec II_DS-092015jb

Installation instructions

Sliding door fittings Flatec II

for wood doors (1 7/16" - 1 3/4") with Soft-Tec Stopper



Complete-Set's

Set Flatec II Art.-No.	A Inch	B Inch	C each	D Inch	E max.Inch	F Inch	G Inch	H max. Inch (H=E - F + 1")
USU45DS-1800EF	70 7/8"	30 3/16"	3	29 1/2" - 35 7/16"	98 7/16"	1/4" - 3/8"	2 3/8"	99 1/8"
USU45DS-2100EF	82 1/16"	24 1/8"	4	35 13/16" - 39 3/8"	98 7/16"	1/4" - 3/8"	2 3/8"	99 1/8"
USU45DS-2300EF	90 9/16"	26 3/4"	4	39 3/4" - 44 1/16"	98 7/16"	1/4" - 3/8"	2 3/8"	99 1/8"
USU45DS-2540EF	100"	29 15/16"	4	44 1/2" - 49 3/16"	98 7/16"	1/4" - 3/8"	2 3/8"	99 1/8"

Right to make technical changes reserved - Dimensions in Inch - Version 09.2015
© by ABP-Beyerle GmbH



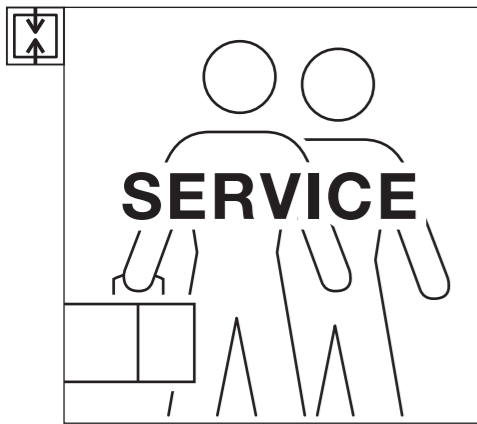


Abb. 1

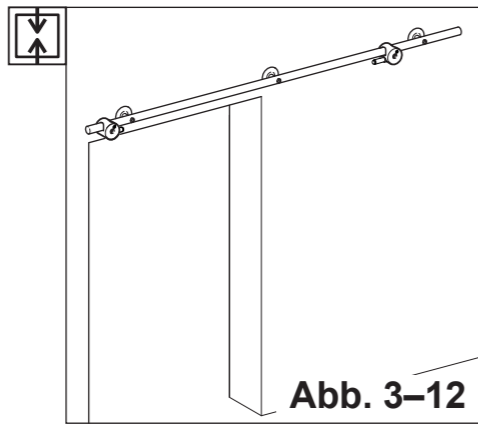


Abb. 3-12

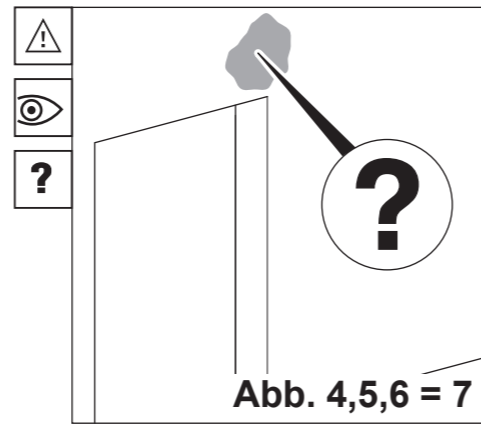


Abb. 4,5,6 = 7

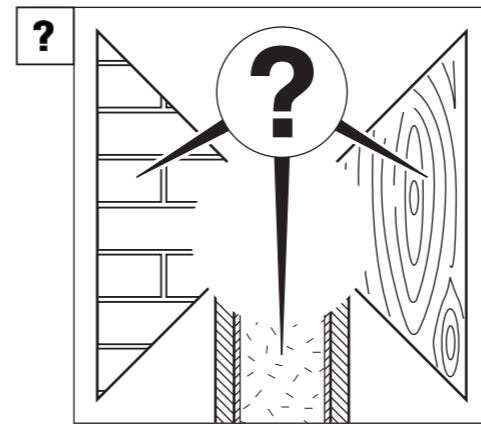


Abb. 4

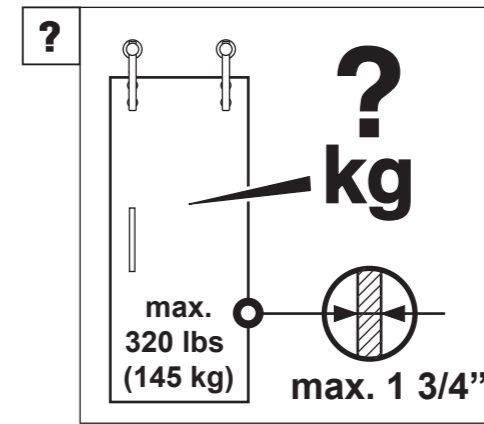


Abb. 5

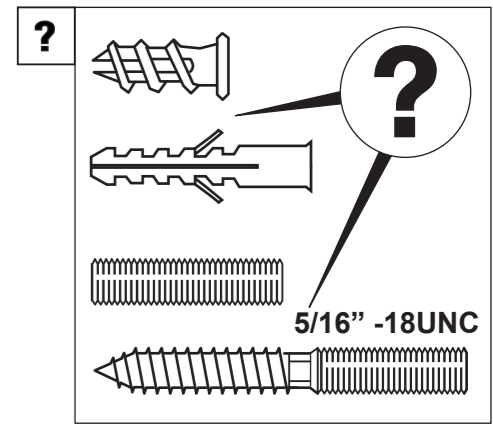


Abb. 6

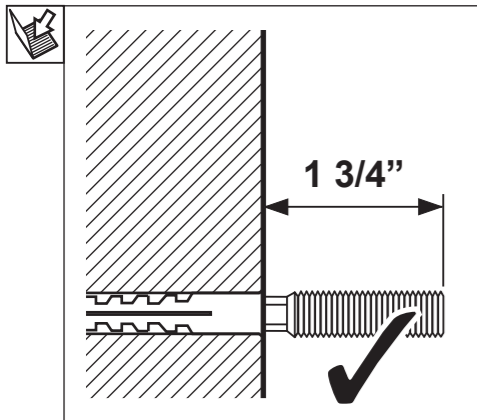


Abb. 7

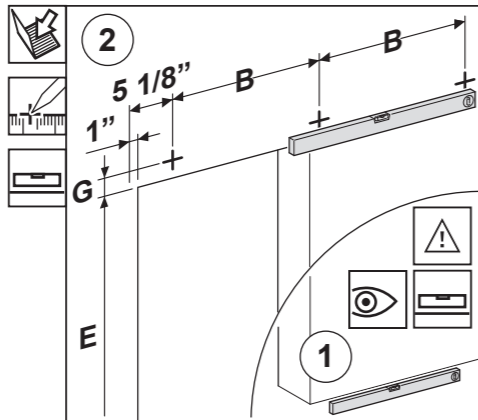


Abb. 8

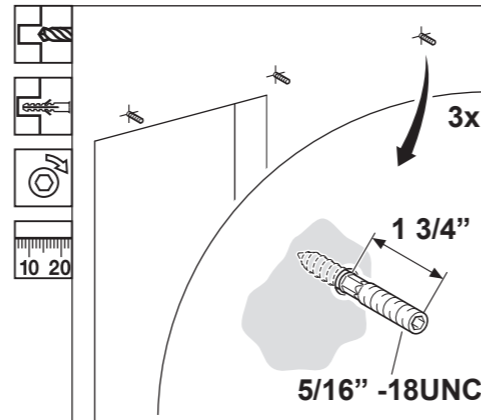


Abb. 9

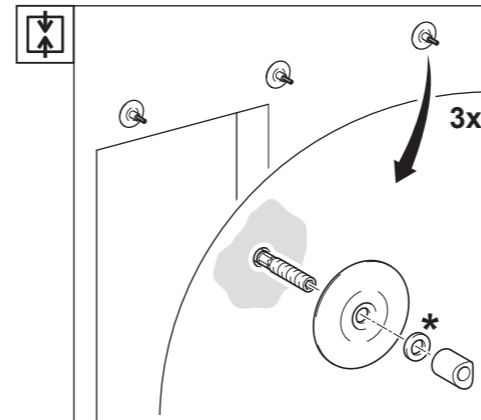


Abb. 10

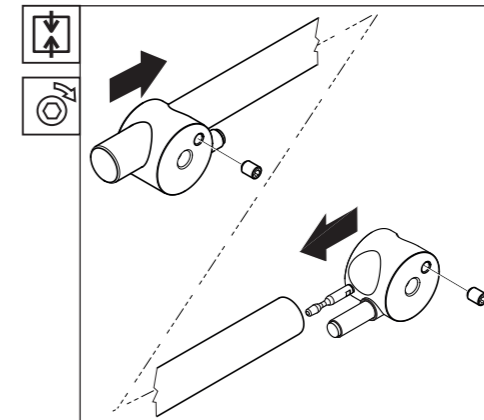


Abb. 11

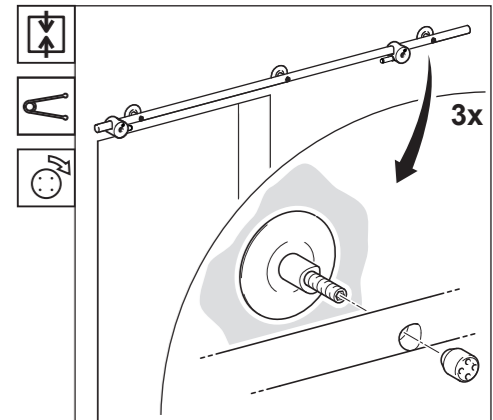


Abb. 12

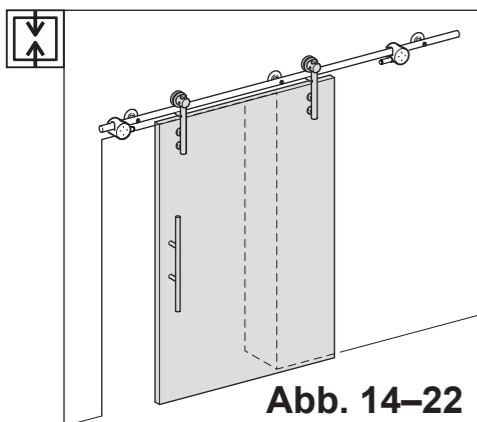


Abb. 13

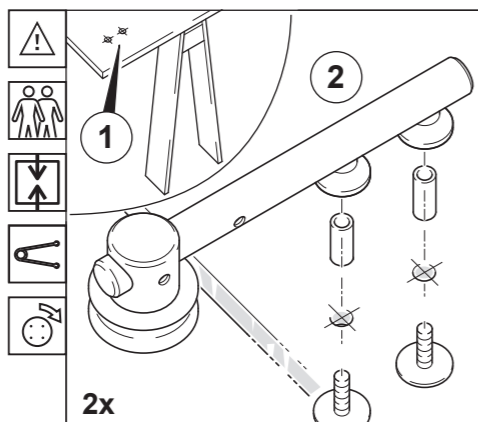


Abb. 14

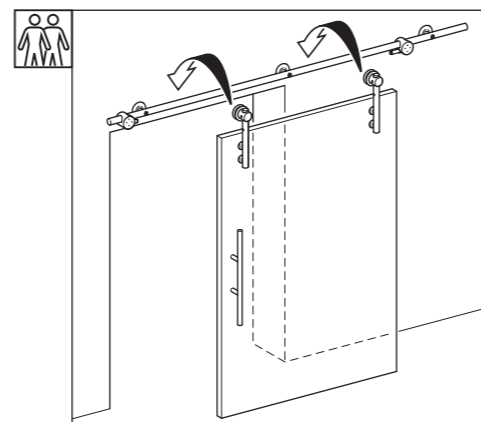


Abb. 15

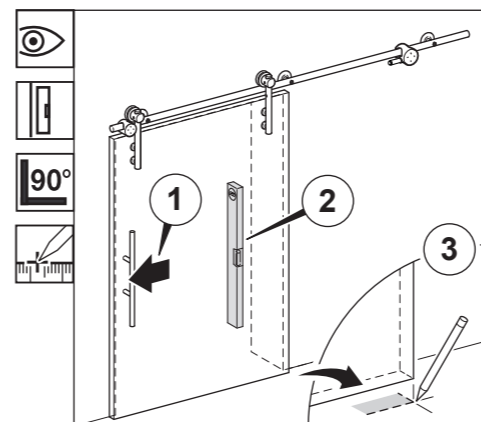


Abb. 16

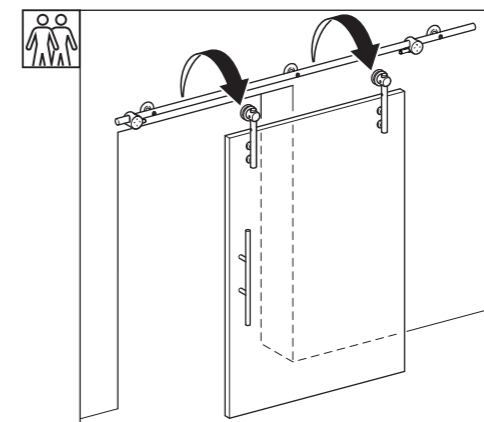


Abb. 17

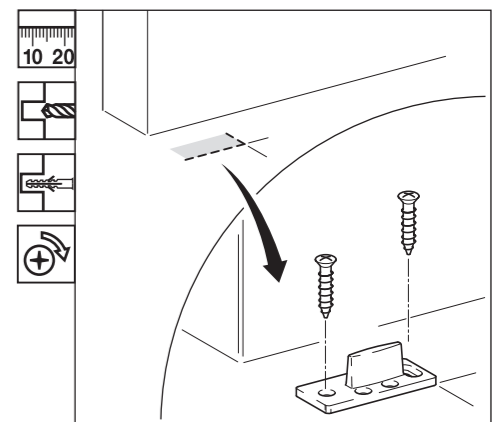


Abb. 18

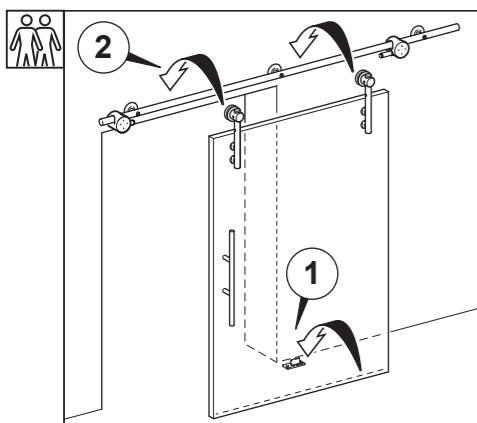


Abb. 19

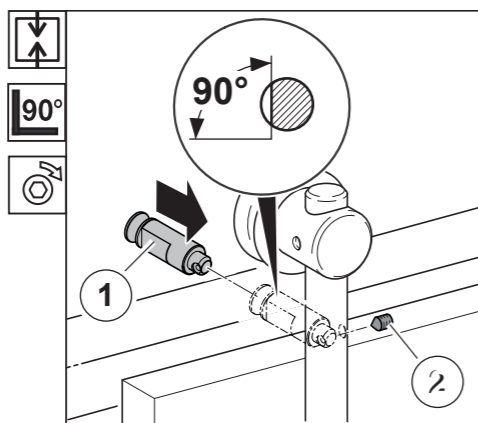


Abb. 20

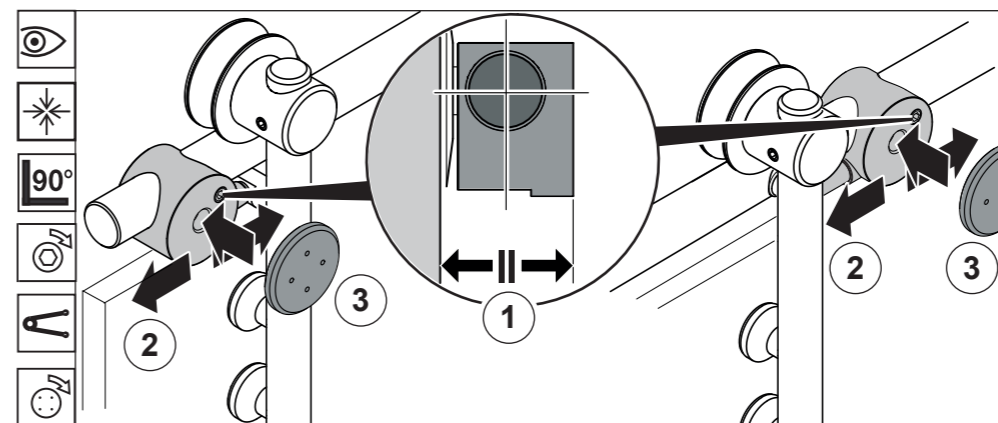
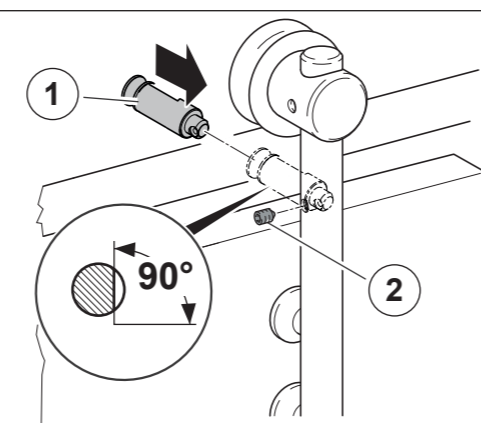


Abb. 21

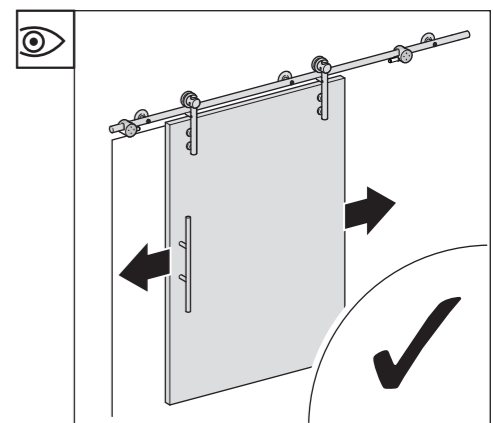


Abb. 22